

# Gate Valves 100mm-320mm

GNB designs gate valves for durability, performance, and value. Choose from standard sizes and features as shown, or contact us for custom options.

***High Vacuum  
Gate Valves  
Reliable Cycle Life  
Low Maintenance***



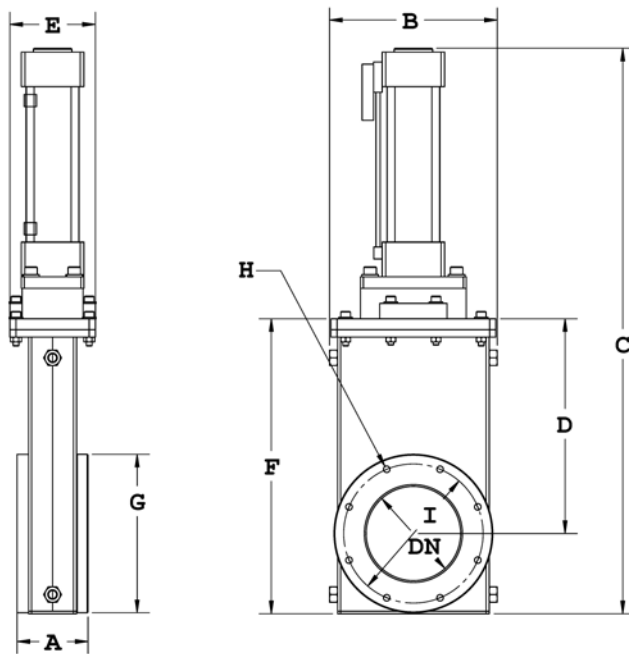
GNB Corporation  
3200 Dwight Road Suite 100  
Elk Grove, California 95758  
Ph: (916) 395-3003  
Fx: (916) 395-3363  
Em: info@gnbvalves.com

**Toll-Free: 1-800-398-8470**

[www.gnbvalves.com](http://www.gnbvalves.com)

## Features:

- Valve body/gate construction: 304L stainless steel
- Electropolished surface finish interior and exterior
- Opening sizes: 100mm - 320mm bolted ISO flanges
- Dual o-ring sealed linear electro-pneumatic actuation—10,000 cycles minimum before first maintenance
- 24V DC solenoid fails closed upon loss of power
- Magnetic position indicators
- Viton o-rings at gate, bonnet, and shaft
- Designed for reliable operation even in industrial environments



## Technical Data:

- Leak rate:  $<1 \times 10^{-9}$  std cc/sec He
- Vacuum rating:  $1.3 \times 10^{-9}$  mbar or  $1 \times 10^{-9}$  torr
- Positive gage pressure rating: 1.5bar or 1.5atm
- Differential pressure at gate:  $\leq 1.5$ bar or 1.5atm in either direction
- Temperature range:  $-30^{\circ}\text{C}/+200^{\circ}\text{C}$  or  $-22^{\circ}\text{F}/+400^{\circ}\text{F}$
- Mounting position: Any
- Solenoid: 24V DC
- Air pressure required: 80-120psig

Model	DN mm/in	A mm/in	B mm/in	C mm/in	D mm/in	E mm/in	F mm/in	G mm/in	H qty/size	I mm/in	WT kg/lb	Price (USD)
G(ISO100)PSOP	97.38/ 3.83	73.81/ 2.91	171.45/ 6.75	585.22/ 23.04	223.84/ 8.81	88.90/ 3.50	307.47/ 12.11	165.00/ 6.50	8-M8	145.01/ 5.71	12.43/ 27.41	2000
G(ISO160)PSOP	148.18/ 5.83	91.11/ 3.59	241.30/ 9.50	766.54/ 30.18	318.08/ 12.52	104.78/ 4.13	430.21/ 16.94	225.00/ 8.86	8-M10	200.00/ 7.87	22.90/ 50.50	2500
G(ISO200)PSOP	197.10/ 7.76	99.75/ 3.93	311.15/ 12.25	899.68/ 35.42	378.78/ 14.91	117.48/ 4.63	521.27/ 20.52	285.00/ 11.22	12-M10	260.00/ 10.24	38.80/ 85.56	3400
G(ISO250)PSOP	261.01/ 10.28	106.52/ 4.19	393.70/ 15.50	1135.46/ 44.70	479.43/ 18.88	114.30/ 4.50	663.58/ 26.13	368.30/ 14.50	12-M10	309.88/ 12.20	61.62/ 135.85	5600
G(ISO320)PSOP	305.56/ 12.03	113.54/ 4.47	435.10/ 17.13	1259.21/ 49.58	547.62/ 21.56	114.30/ 4.50	760.74/ 29.95	424.94/ 16.73	12-M12	395.00/ 15.55	77.10/ 170.0	7000

Many custom features available. Contact GNB for details.

[www.gnbvalves.com](http://www.gnbvalves.com)

**GNB**  
Vacuum Excellence Defined